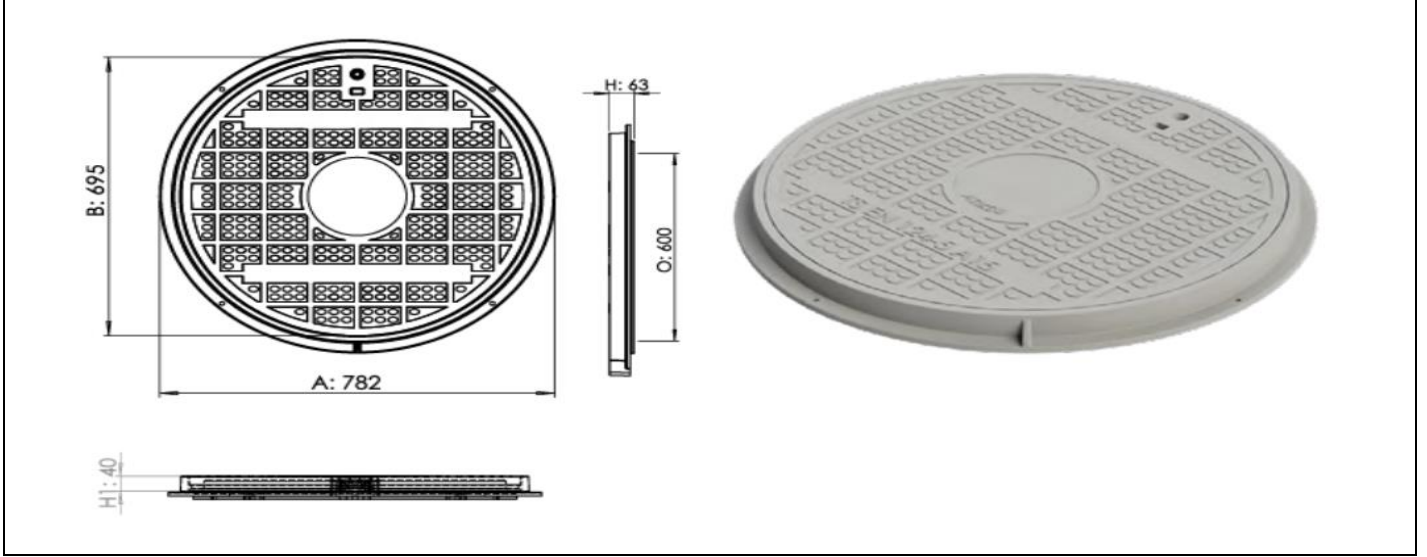


ÜRÜN ADI	KOPOZİT KAPAK MENTEŞESİZ			ÜRÜN KODU		STC-K01
SINIF	AĞIRLIK (kg)	A (mm)	B (mm)	O (mm)	H (mm)	H1 (mm)
A15	20	782	695	600	63	40
B125	28,5	782	695	600	63	40



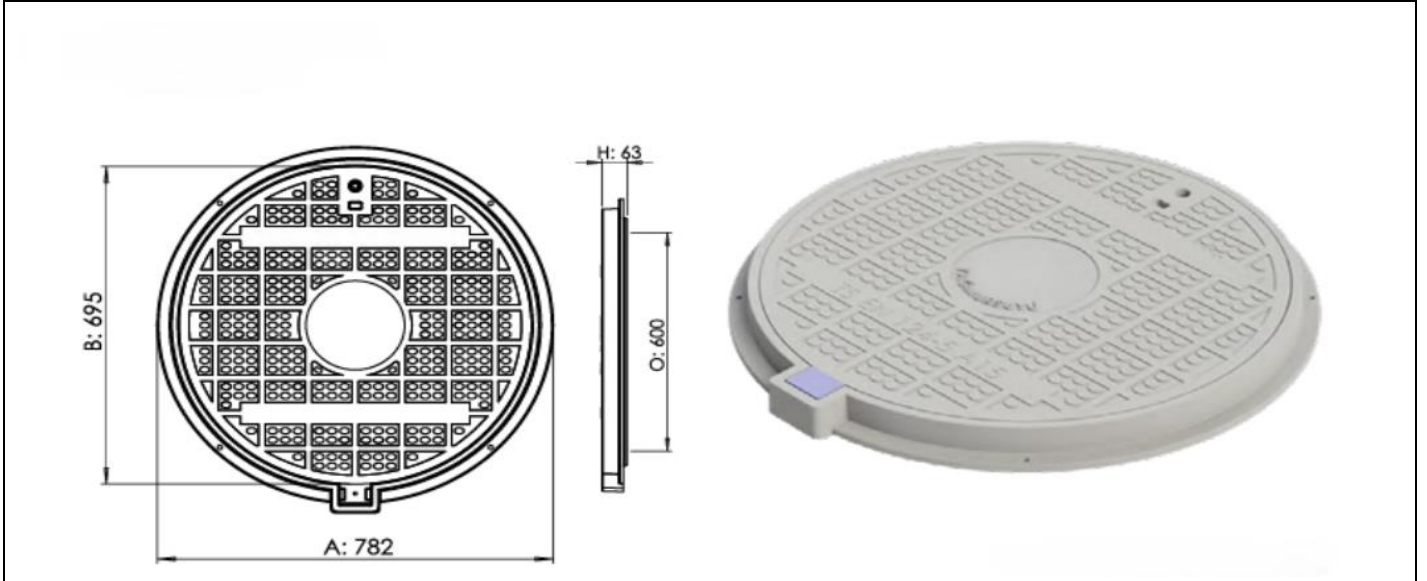
TEKNİK RESİM STC-K01



ÜRÜN ADI	KOPOZİT KAPAK MENTEŞELİ			ÜRÜN KODU		STC-KM01
SINIF	AĞIRLIK (kg)	A (mm)	B (mm)	O (mm)	H (mm)	H1 (mm)
A15	20,5	782	695	600	63	40
B125	29	782	695	600	63	40



TEKNİK RESİM STC-KM01



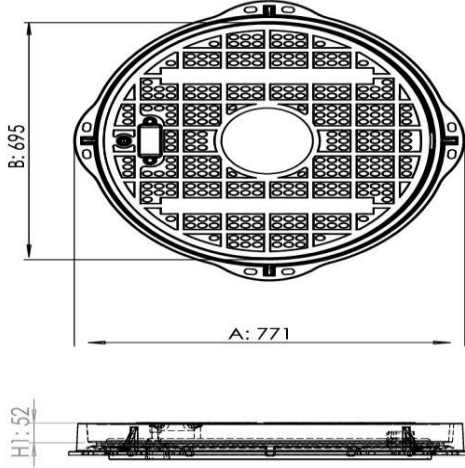
Copyright © 2024 Steecorp Inc. All rights reserved

This technical drawing is protected by copyright law. Reproduction, distribution, or modification of this drawing without the express written permission of the copyright owner is strictly prohibited. Unauthorized reproduction of this drawing may result in civil and/or criminal liability, including fines and imprisonment.

ÜRÜN ADI	KOPOZİT KAPAK MENTEŞESİZ			ÜRÜN KODU		STC-K02
SINIF	AĞIRLIK (kg)	A (mm)	B (mm)	O (mm)	H (mm)	H1 (mm)
C250	39,2	771	695	600	97	52
D400	45,2	771	695	600	97	52



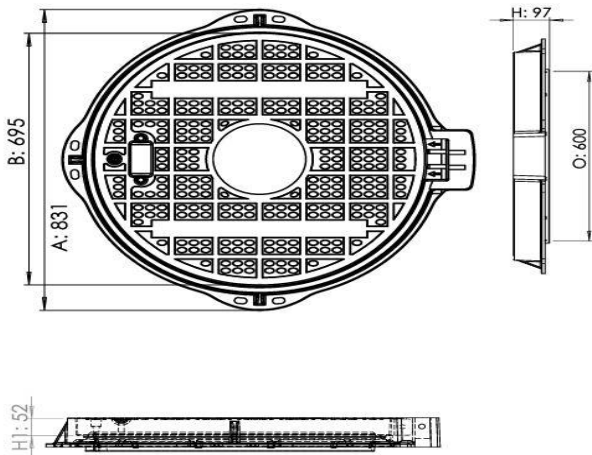
TEKNİK RESİM STC-K02



ÜRÜN ADI	KOPOZİT KAPAK MENTEŞELİ			ÜRÜN KODU		STC-KM02
SINIF	AĞIRLIK (kg)	A (mm)	B (mm)	O (mm)	H (mm)	H1 (mm)
C250	40	831	695	600	97	52
D400	46	831	695	600	97	52




TEKNİK RESİM STC-KM02

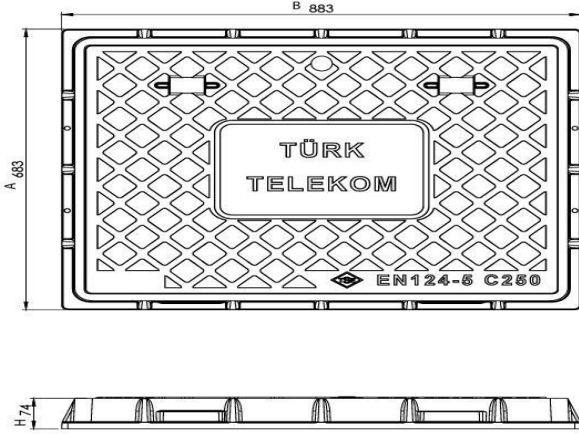



Copyright © 2024 Steecorp Inc. All rights reserved

This technical drawing is protected by copyright law. Reproduction, distribution, or modification of this drawing without the express written permission of the copyright owner is strictly prohibited. Unauthorized reproduction of this drawing may result in civil and/or criminal liability, including fines and imprisonment.

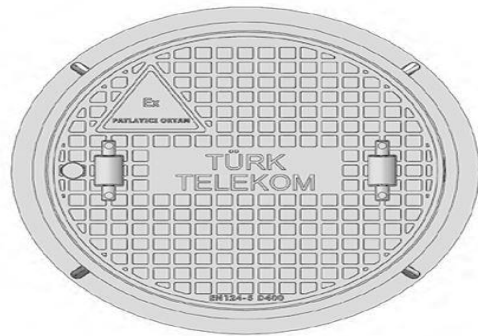
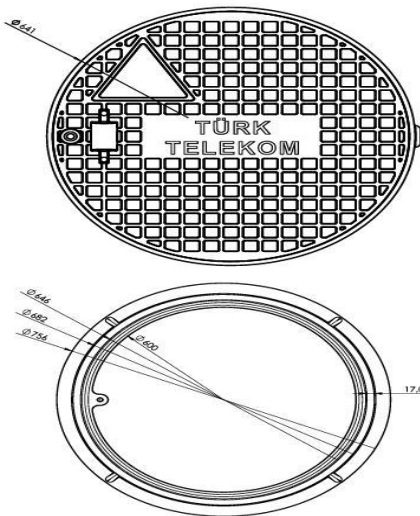
ÜRÜN ADI	KOPOZİT KAPAK MENTEŞESİZ			ÜRÜN KODU	STC-K03	
SINIF	AĞIRLIK (kg)	A (mm)	B (mm)	O (mm)	H (mm)	
A15	34,5	683	883	600	74	
C250	52	683	883	600	74	
D400	65,5	683	883	600	74	

TEKNİK RESİM STC-K03



ÜRÜN ADI	KOPOZİT KAPAK MENTEŞESİZ			ÜRÜN KODU	STC-K04		
SINIF	AĞIRLIK (kg)	ÇERÇEVE (mm)	ÇERÇEVE İÇ (mm)	KAPAK (mm)	YÜKSEKLİK (mm)	MÜDAHALE BOŞLUĞU (mm)	
D400	31	Ø756	Ø686	Ø645	92	Ø600	

TEKNİK RESİM STC-K04



Copyright © 2024 Steecorp Inc. All rights reserved

This technical drawing is protected by copyright law. Reproduction, distribution, or modification of this drawing without the express written permission of the copyright owner is strictly prohibited. Unauthorized reproduction of this drawing may result in civil and/or criminal liability, including fines and imprisonment.