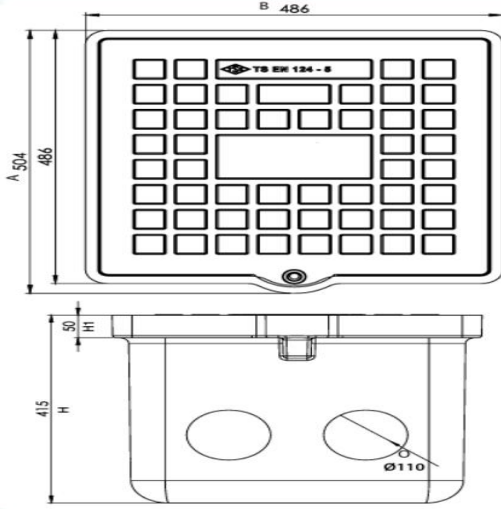


| ÜRÜN ADI | KOMPOZİT EK ODASI | | | ÜRÜN KODU | | STC-T12-H41 |
|----------|-------------------|--------|--------|--------------|--------|-------------|
| SINIF | AĞIRLIK (kg) | A (mm) | B (mm) | Ø DELİK (mm) | H (mm) | H1 (mm) |
| A15 | 25,5 | 504 | 486 | 110 | 415 | 50 |
| B125 | 30 | 504 | 486 | 110 | 415 | 50 |
| C250 | 30 | 504 | 486 | 110 | 415 | 50 |
| D400 | 35 | 504 | 486 | 110 | 415 | 50 |



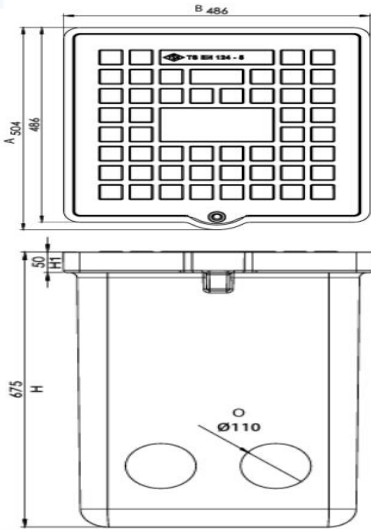
TEKNİK RESİM STC-T12-H41



| ÜRÜN ADI | KOMPOZİT EK ODASI | | | ÜRÜN KODU | | STC-T12-H46 |
|----------|-------------------|--------|--------|--------------|--------|-------------|
| SINIF | AĞIRLIK (kg) | A (mm) | B (mm) | Ø DELİK (mm) | H (mm) | H1 (mm) |
| A15 | 35,5 | 504 | 486 | 110 | 675 | 50 |
| B125 | 40 | 504 | 486 | 110 | 675 | 50 |
| C250 | 40 | 504 | 486 | 110 | 675 | 50 |
| D400 | 45 | 504 | 486 | 110 | 675 | 50 |




TEKNİK RESİM STC-T12-H46

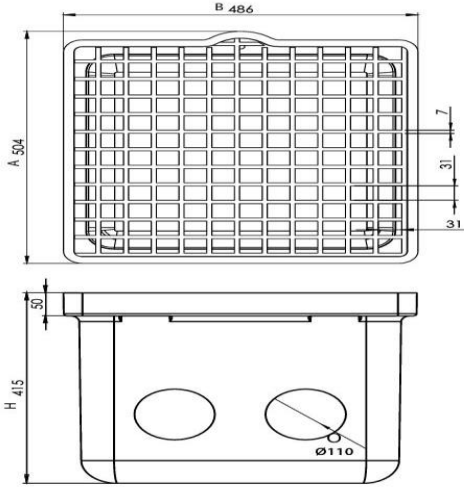


Copyright © 2024 Steecorp Inc. All rights reserved

This technical drawing is protected by copyright law. Reproduction, distribution, or modification of this drawing without the express written permission of the copyright owner is strictly prohibited. Unauthorized reproduction of this drawing may result in civil and/or criminal liability, including fines and imprisonment.


| ÜRÜN ADI | GRID IZGARALI KOMPOZİT EK ODASI | | | ÜRÜN KODU | | STC-T12-H41-G1 | |
|----------|---------------------------------|--------|--------|--------------|--------|----------------|---|
| SINIF | AĞIRLIK (kg) | A (mm) | B (mm) | Ø DELİK (mm) | H (mm) | H1 (mm) |  |
| B125 | 21 | 504 | 486 | 110 | 415 | 50 | |

TEKNİK RESİM STC-T12-H41-G1

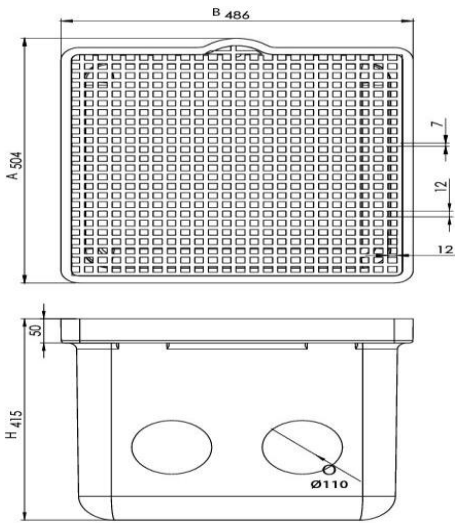


38X38 GRID IZGARALI



| ÜRÜN ADI | GRID IZGARALI KOMPOZİT EK ODASI | | | ÜRÜN KODU | | STC-T12-H41-G2 | |
|----------|---------------------------------|--------|--------|--------------|--------|----------------|---|
| SINIF | AĞIRLIK (kg) | A (mm) | B (mm) | Ø DELİK (mm) | H (mm) | H1 (mm) |  |
| B125 | 22 | 504 | 486 | 110 | 415 | 50 | |

TEKNİK RESİM STC-T12-H41-G2




19X19 GRID IZGARALI

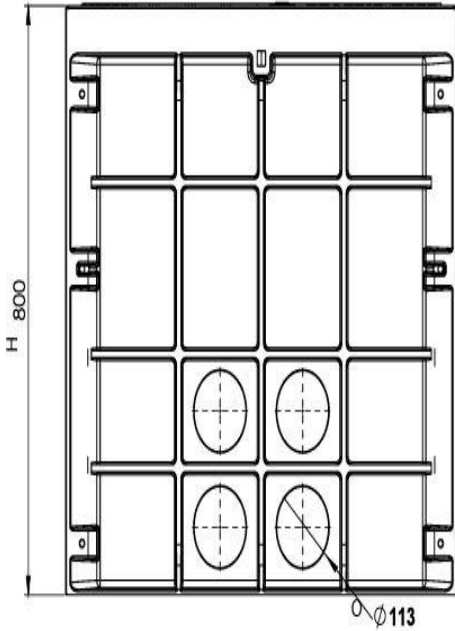
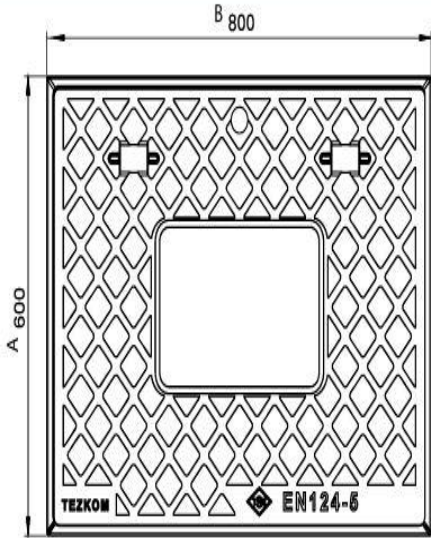


Copyright © 2024 Steecorp Inc. All rights reserved

This technical drawing is protected by copyright law. Reproduction, distribution, or modification of this drawing without the express written permission of the copyright owner is strictly prohibited. Unauthorized reproduction of this drawing may result in civil and/or criminal liability, including fines and imprisonment.

| ÜRÜN ADI | KOMPOZİT EK ODASI TELEKOM | | | ÜRÜN KODU | | STC-T12-H80-T |
|----------|---------------------------|--------|--------|--------------|--------|---|
| SINIF | AĞIRLIK (kg) | A (mm) | B (mm) | Ø DELİK (mm) | H (mm) |  |
| A15 | 70 | 600 | 800 | 113 | 800 | |
| C250 | 87 | 600 | 800 | 113 | 800 | |
| D400 | 101 | 600 | 800 | 113 | 800 | |

TEKNİK RESİM STC-T12-H41-G1



Copyright © 2024 Steecorp Inc. All rights reserved

This technical drawing is protected by copyright law. Reproduction, distribution, or modification of this drawing without the express written permission of the copyright owner is strictly prohibited. Unauthorized reproduction of this drawing may result in civil and/or criminal liability, including fines and imprisonment.