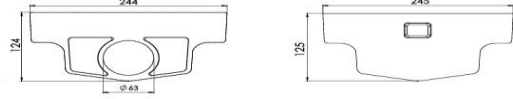
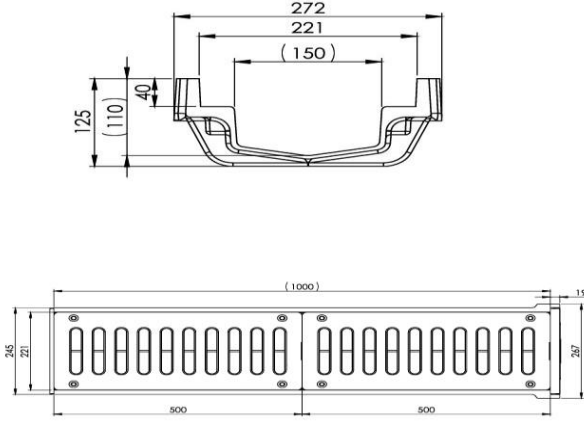


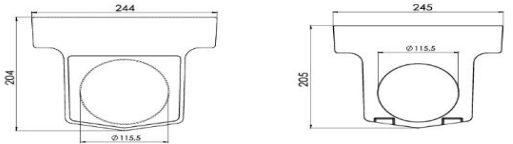
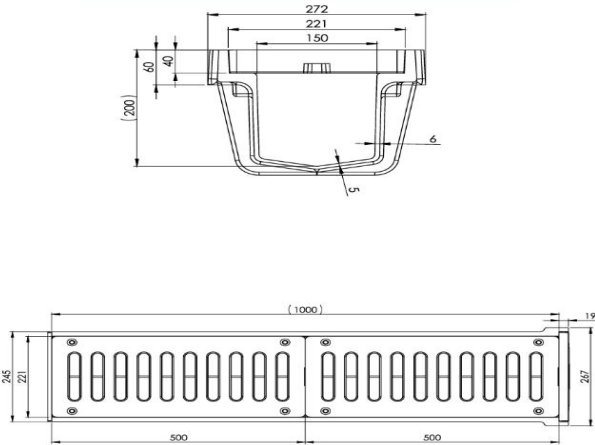
ÜRÜN ADI	KOMPOZİT DRENAJ OLUK			ÜRÜN KODU		STC-KD-110x150x1000
SINIF	AĞIRLIK (kg)	İÇ GENİŞLİK	İÇ YÜKSEKLİK	DIŞ GENİŞLİK	DIŞ YÜKSEKLİK	UZUNLUK
A15	20,40	150	110	272	125	1000
D400	24,6	150	110	272	125	1000

TEKNİK RESİM STC-KD-110x150x1000



ÜRÜN ADI	KOMPOZİT DRENAJ OLUK			ÜRÜN KODU		STC-KD-200x150x1000
SINIF	AĞIRLIK (kg)	İÇ GENİŞLİK	İÇ YÜKSEKLİK	DIŞ GENİŞLİK	DIŞ YÜKSEKLİK	UZUNLUK
A15	24,1	150	200	272	215	1000
D400	28,3	150	200	272	215	1000

TEKNİK RESİM STC-KD-200x150x1000

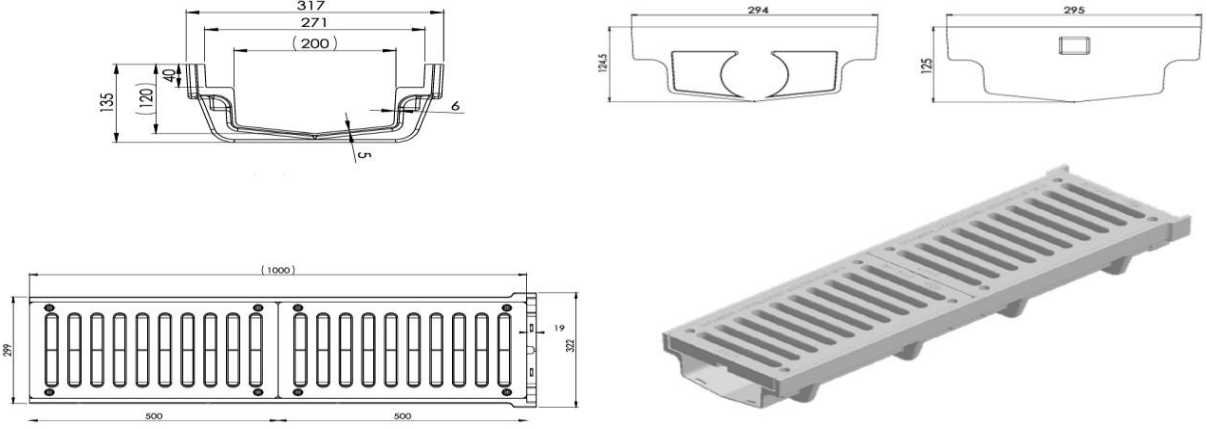


Copyright © 2024 Steecorp Inc. All rights reserved

This technical drawing is protected by copyright law. Reproduction, distribution, or modification of this drawing without the express written permission of the copyright owner is strictly prohibited. Unauthorized reproduction of this drawing may result in civil and/or criminal liability, including fines and imprisonment.

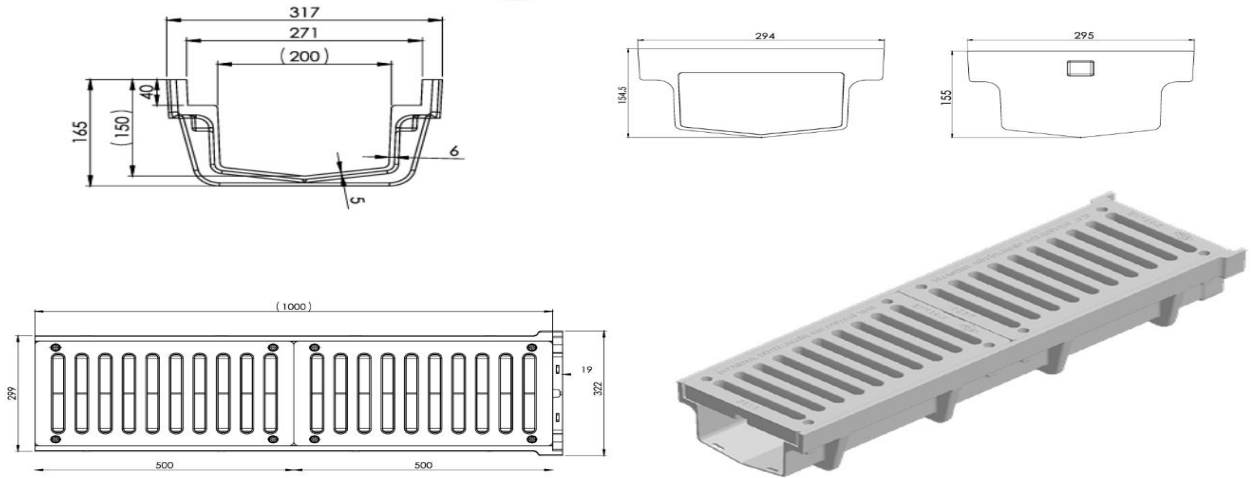
ÜRÜN ADI	KOMPOZİT DRENAJ OLUK			ÜRÜN KODU		STC-KD-120x200x1000
SINIF	AĞIRLIK (kg)	İÇ GENİŞLİK	İÇ YÜKSEKLİK	DIŞ GENİŞLİK	DIŞ YÜKSEKLİK	UZUNLUK
B125	22,7	200	120	317	135	1000
D400	30,3	200	120	317	135	1000

TEKNİK RESİM STC-KD-120x200x1000



ÜRÜN ADI	KOMPOZİT DRENAJ OLUK			ÜRÜN KODU		STC-KD-150x200x1000
SINIF	AĞIRLIK (kg)	İÇ GENİŞLİK	İÇ YÜKSEKLİK	DIŞ GENİŞLİK	DIŞ YÜKSEKLİK	UZUNLUK
B125	24,1	200	150	317	165	1000
D400	31,7	200	150	317	165	1000

TEKNİK RESİM STC-KD-150x200x1000

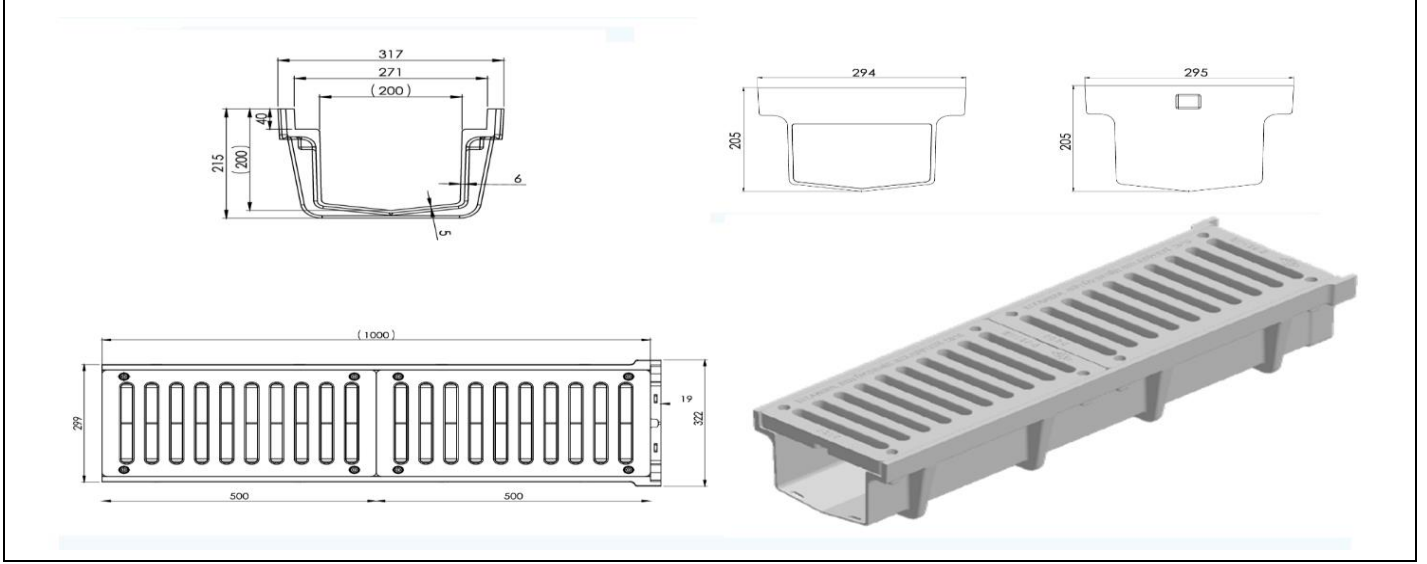


Copyright © 2024 Steecorp Inc. All rights reserved

This technical drawing is protected by copyright law. Reproduction, distribution, or modification of this drawing without the express written permission of the copyright owner is strictly prohibited. Unauthorized reproduction of this drawing may result in civil and/or criminal liability, including fines and imprisonment.

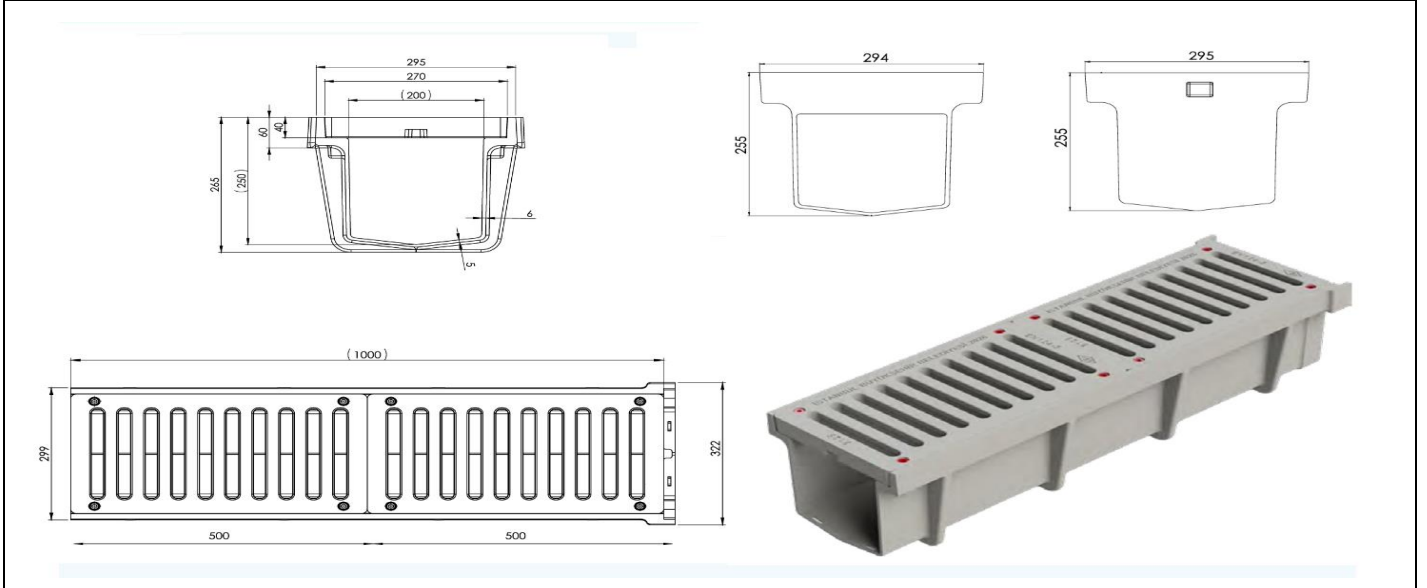
ÜRÜN ADI	KOMPOZİT DRENAJ OLUK			ÜRÜN KODU		STC-KD-200x200x1000
SINIF	AĞIRLIK (kg)	İÇ GENİŞLİK	İÇ YÜKSEKLİK	DIŞ GENİŞLİK	DIŞ YÜKSEKLİK	UZUNLUK
B125	26,7	200	200	317	215	1000
D400	34,3	200	200	317	215	1000

TEKNİK RESİM STC-KD-200x200x1000



ÜRÜN ADI	KOMPOZİT DRENAJ OLUK			ÜRÜN KODU		STC-KD-250x200x1000
SINIF	AĞIRLIK (kg)	İÇ GENİŞLİK	İÇ YÜKSEKLİK	DIŞ GENİŞLİK	DIŞ YÜKSEKLİK	UZUNLUK
B125	29,1	200	250	295	265	1000
D400	36,7	200	250	295	265	1000

TEKNİK RESİM STC-KD-250x200x1000



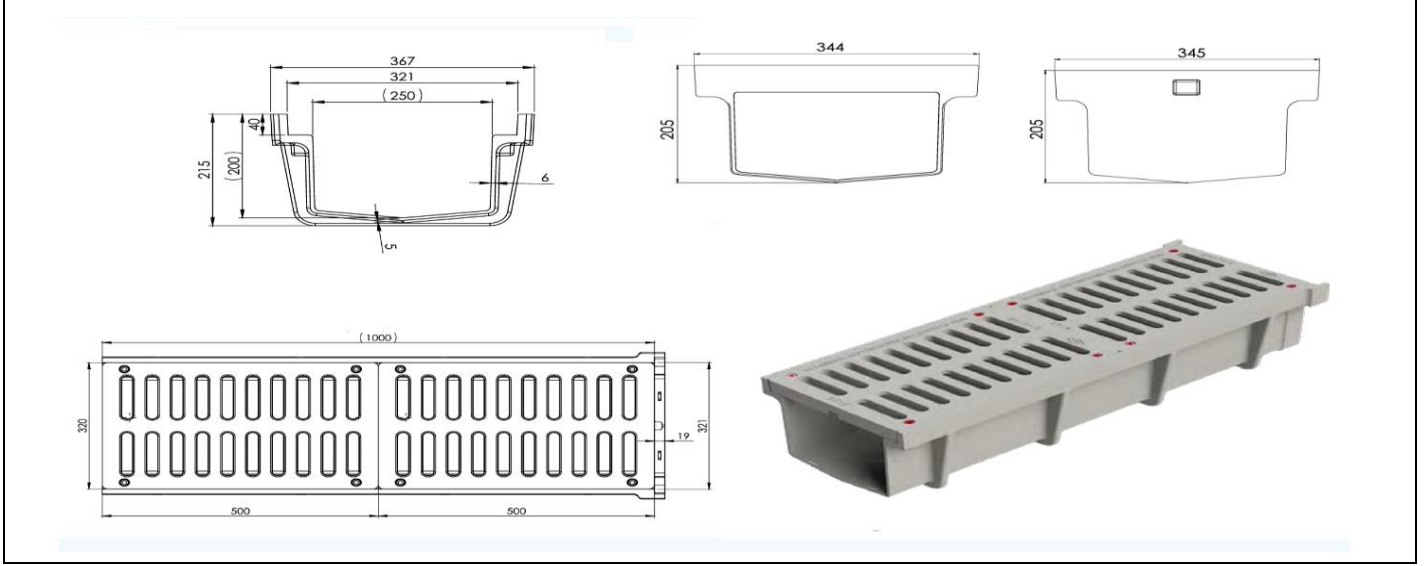
Copyright © 2024 Steecorp Inc. All rights reserved

This technical drawing is protected by copyright law. Reproduction, distribution, or modification of this drawing without the express written permission of the copyright owner is strictly prohibited. Unauthorized reproduction of this drawing may result in civil and/or criminal liability, including fines and imprisonment.

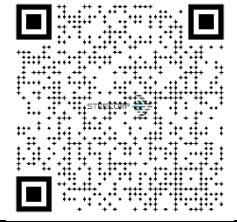
ÜRÜN ADI	KOMPOZİT DRENAJ OLUK			ÜRÜN KODU		STC-KD-200x250x1000
SINIF	AĞIRLIK (kg)	İÇ GENİŞLİK	İÇ YÜKSEKLİK	DIŞ GENİŞLİK	DIŞ YÜKSEKLİK	UZUNLUK
B125	30,6	250	200	367	215	1000
D400	36,4	250	200	367	215	1000



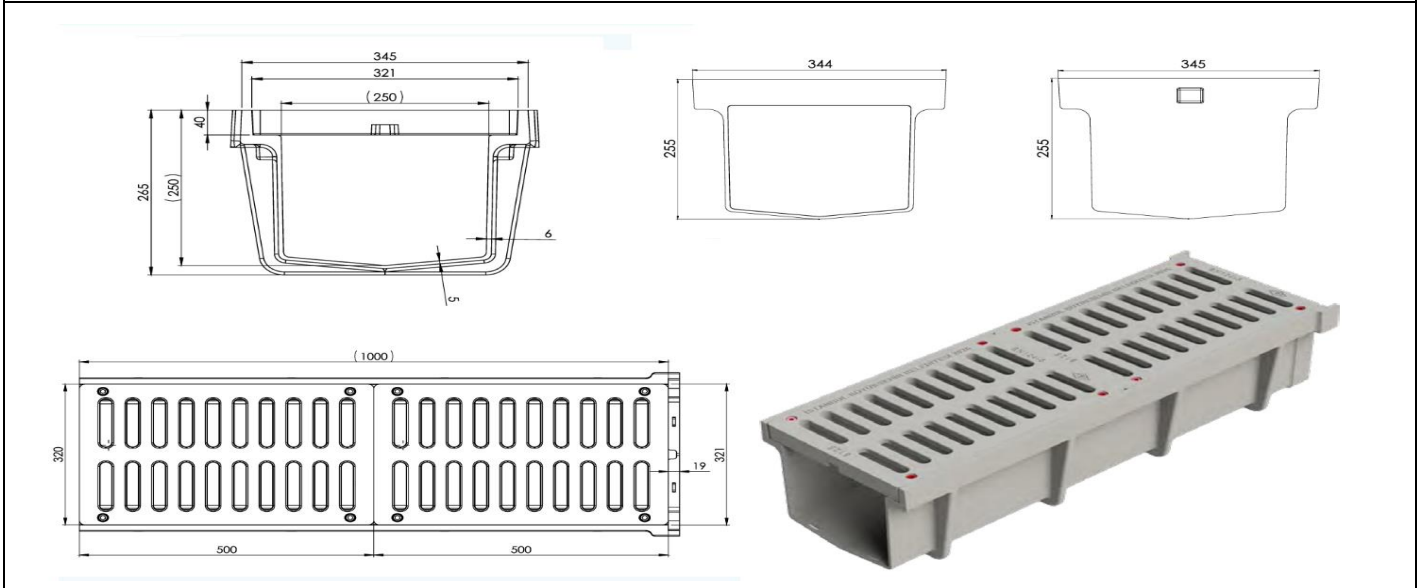
TEKNİK RESİM STC-KD-200x250x1000



ÜRÜN ADI	KOMPOZİT DRENAJ OLUK			ÜRÜN KODU		STC-KD-250x250x1000
SINIF	AĞIRLIK (kg)	İÇ GENİŞLİK	İÇ YÜKSEKLİK	DIŞ GENİŞLİK	DIŞ YÜKSEKLİK	UZUNLUK
B125	33,3	250	250	345	265	1000
D400	49,1	250	250	345	265	1000



TEKNİK RESİM STC-KD-250x250x1000

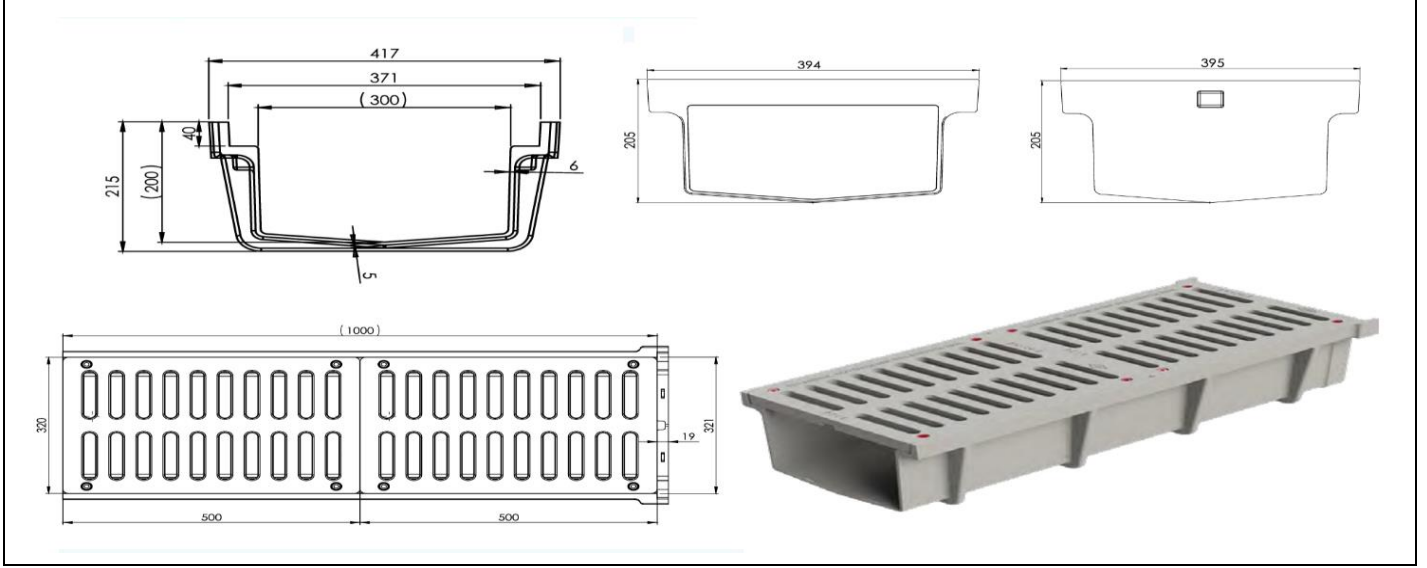


Copyright © 2024 Steecorp Inc. All rights reserved

This technical drawing is protected by copyright law. Reproduction, distribution, or modification of this drawing without the express written permission of the copyright owner is strictly prohibited. Unauthorized reproduction of this drawing may result in civil and/or criminal liability, including fines and imprisonment.

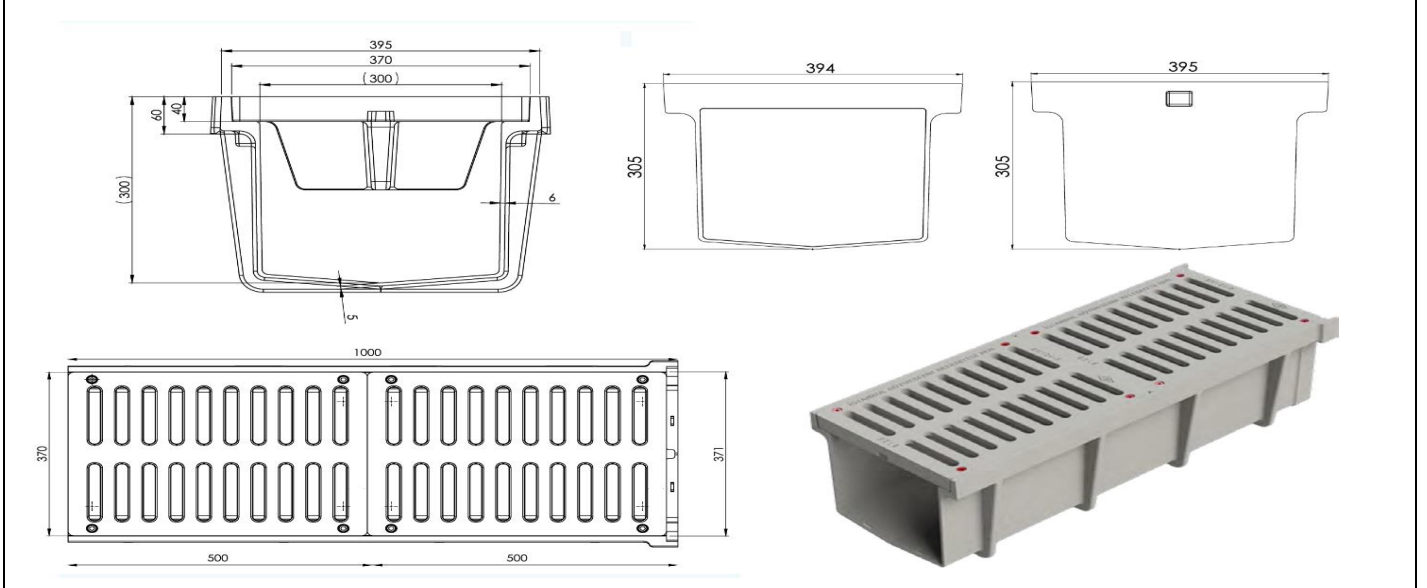
ÜRÜN ADI	KOMPOZİT DRENAJ OLUK			ÜRÜN KODU		STC-KD-200x300x1000
SINIF	AĞIRLIK (kg)	İÇ GENİŞLİK	İÇ YÜKSEKLİK	DIŞ GENİŞLİK	DIŞ YÜKSEKLİK	UZUNLUK
B125	33,2	300	200	417	215	1000
D400	47,4	300	200	417	215	1000

TEKNİK RESİM STC-KD-200x300x1000



ÜRÜN ADI	KOMPOZİT DRENAJ OLUK			ÜRÜN KODU		STC-KD-300x300x1000
SINIF	AĞIRLIK (kg)	İÇ GENİŞLİK	İÇ YÜKSEKLİK	DIŞ GENİŞLİK	DIŞ YÜKSEKLİK	UZUNLUK
B125	38,3	300	300	395	315	1000
D400	52,5	300	300	395	315	1000

TEKNİK RESİM STC-KD-300x300x1000



Copyright © 2024 Steecorp Inc. All rights reserved

This technical drawing is protected by copyright law. Reproduction, distribution, or modification of this drawing without the express written permission of the copyright owner is strictly prohibited. Unauthorized reproduction of this drawing may result in civil and/or criminal liability, including fines and imprisonment.