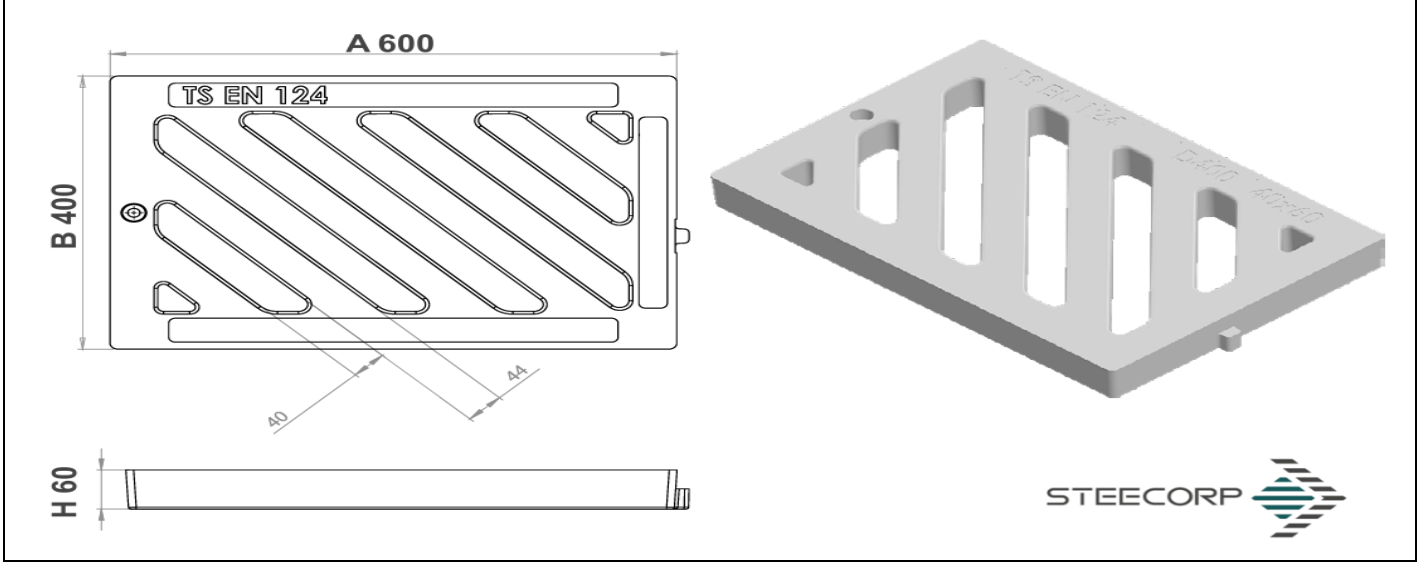


ÜRÜN ADI	KOMPOZİT KANAL IZGARASI			ÜRÜN KODU		STC-KS-400x600x60
SINIF	AĞIRLIK (kg)	A	B	H	DIŞ ÇERÇEVE A	DIŞ ÇERÇEVE B
D400	18,5 kg	600	400	60		



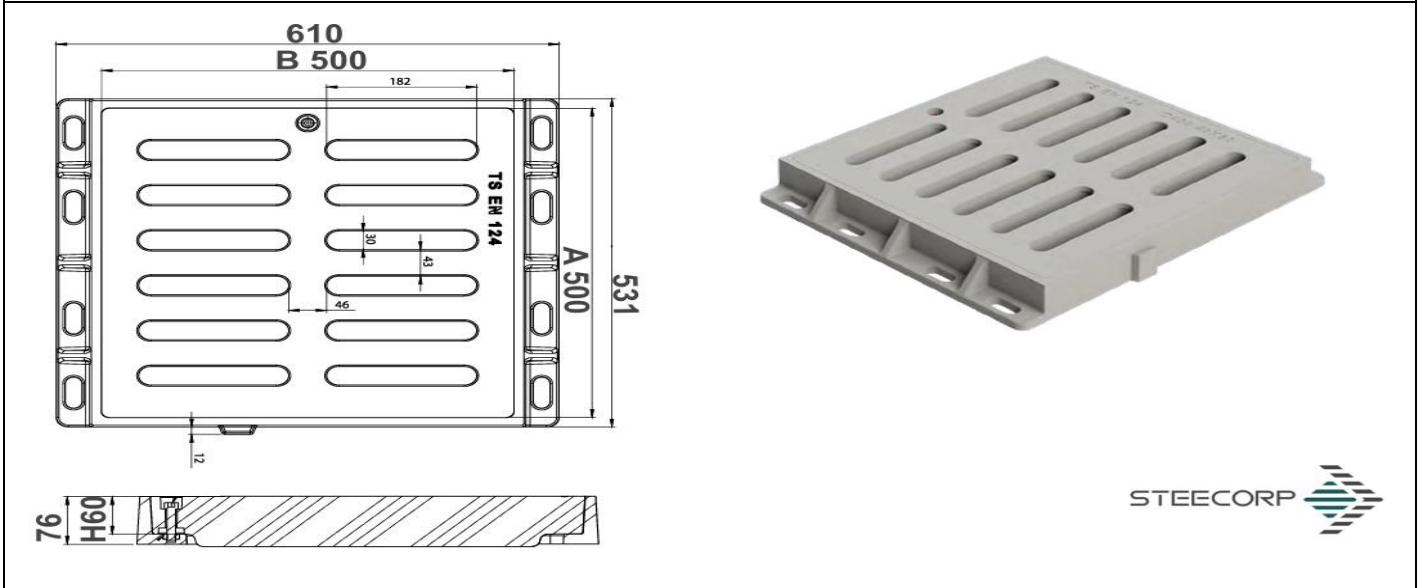
TEKNİK RESİM STC-KS-400x600x40



ÜRÜN ADI	KOMPOZİT KANAL IZGARASI			ÜRÜN KODU		STC-KS-500x500x60
SINIF	AĞIRLIK (kg)	A	B	H	DIŞ ÇERÇEVE A	DIŞ ÇERÇEVE B
D400	28 kg	500	600	60	531	610



TEKNİK RESİM STC-KS-200x150x1000



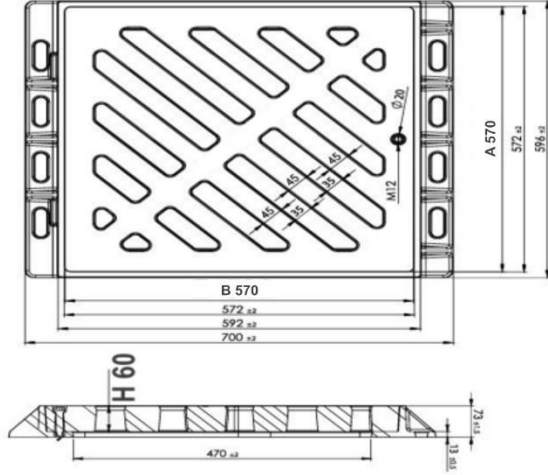
Copyright © 2024 Steecorp Inc. All rights reserved

This technical drawing is protected by copyright law. Reproduction, distribution, or modification of this drawing without the express written permission of the copyright owner is strictly prohibited. Unauthorized reproduction of this drawing may result in civil and/or criminal liability, including fines and imprisonment.

ÜRÜN ADI	KOMPOZİT KANAL IZGARASI			ÜRÜN KODU		STC-KS-570x570x60
SINIF	AĞIRLIK (kg)	A	B	H	DIŞ ÇERÇEVE A	DIŞ ÇERÇEVE B
D400	34 kg	570	570	60	596	700



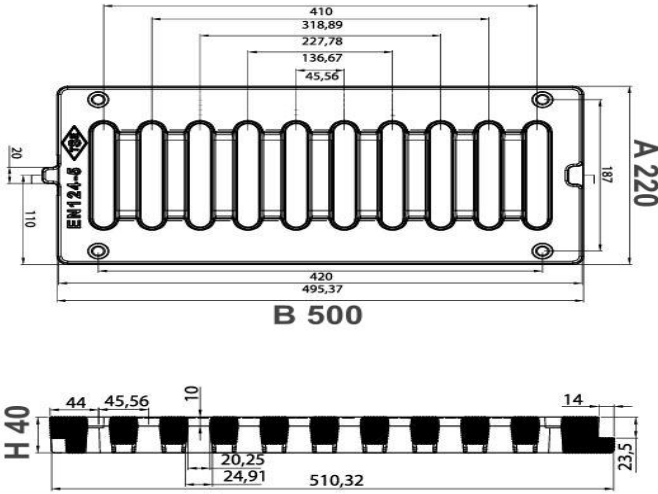
TEKNİK RESİM STC-KS-570x570x60



ÜRÜN ADI	KOMPOZİT KANAL IZGARASI			ÜRÜN KODU		STC-KS-220x500x40
SINIF	AĞIRLIK (kg)	A	B	H	DIŞ ÇERÇEVE A	DIŞ ÇERÇEVE B
B125	5,5 kg	220	500	40		
D400	7,6 kg	200	500	40		



TEKNİK RESİM STC-KS-220x500x40

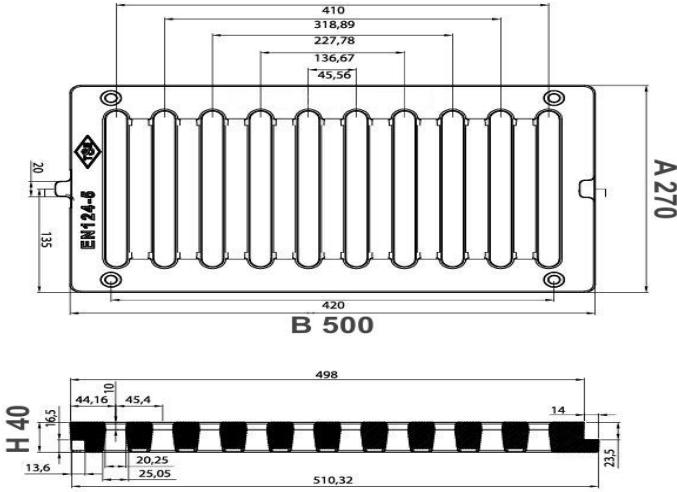


Copyright © 2024 Steecorp Inc. All rights reserved

This technical drawing is protected by copyright law. Reproduction, distribution, or modification of this drawing without the express written permission of the copyright owner is strictly prohibited. Unauthorized reproduction of this drawing may result in civil and/or criminal liability, including fines and imprisonment.

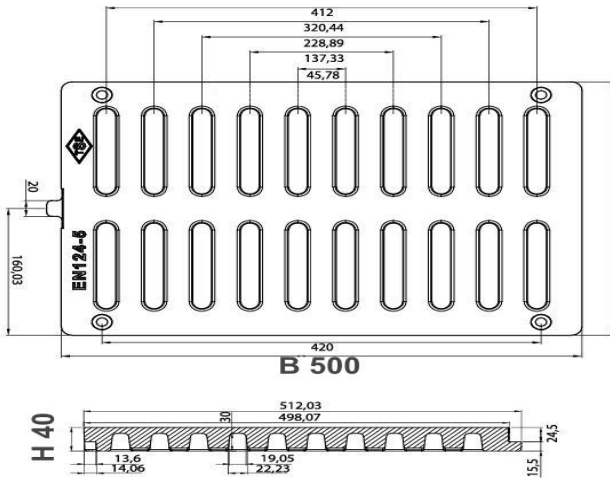
ÜRÜN ADI	KOMPOZİT KANAL IZGARASI			ÜRÜN KODU		STC-KS-270x500x40	
SINIF	AĞIRLIK (kg)	A	B	H	DIŞ ÇERÇEVE A	DIŞ ÇERÇEVE B	QR
B125	6,2 kg	270	500	40			
D400	10 kg	270	500	40			

TEKNİK RESİM STC-KS-270x500x40




ÜRÜN ADI	KOMPOZİT KANAL IZGARASI			ÜRÜN KODU		STC-KS-320x500x40	
SINIF	AĞIRLIK (kg)	A	B	H	DIŞ ÇERÇEVE A	DIŞ ÇERÇEVE B	QR
B125	7,6 kg	320	500	40			
D400	15,5 kg	320	500	40			

TEKNİK RESİM STC-KS-320x500x40

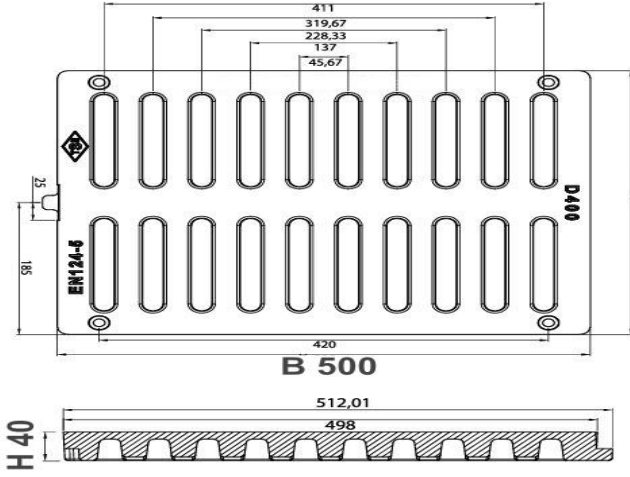


Copyright © 2024 Steecorp Inc. All rights reserved

This technical drawing is protected by copyright law. Reproduction, distribution, or modification of this drawing without the express written permission of the copyright owner is strictly prohibited. Unauthorized reproduction of this drawing may result in civil and/or criminal liability, including fines and imprisonment.

ÜRÜN ADI	KOMPOZİT KANAL IZGARASI			ÜRÜN KODU		STC-KS-370x500x40	
SINIF	AĞIRLIK (kg)	A	B	H	DIŞ ÇERÇEVE A	DIŞ ÇERÇEVE B	
B125	8,4 kg	320	500	40			
D400	15,5 kg	320	500	40			

TEKNİK RESİM STC-KD-200x250x1000



Copyright © 2024 Steecorp Inc. All rights reserved

This technical drawing is protected by copyright law. Reproduction, distribution, or modification of this drawing without the express written permission of the copyright owner is strictly prohibited. Unauthorized reproduction of this drawing may result in civil and/or criminal liability, including fines and imprisonment.

